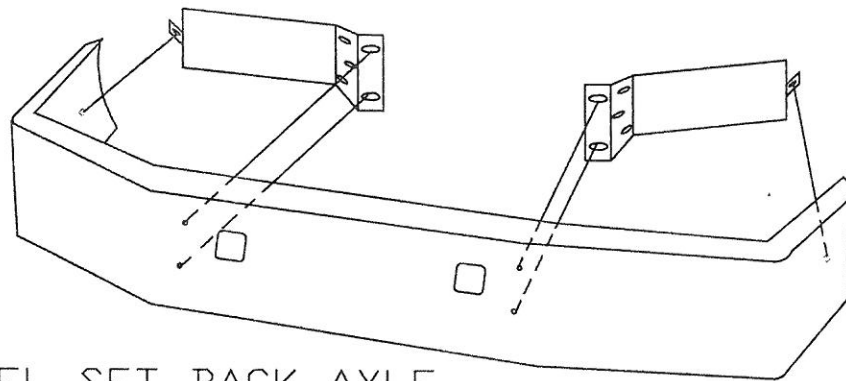




PLEASE NOTE BOLTS IN BRACKETS
ARE USED FOR SHIPPING ONLY!!!
YOU MUST SUPPLY YOUR OWN MOUNTING BOLTS.

WHITE



LA MODEL SET BACK AXLE MOUNTING INSTRUCTIONS

1. Mount brackets to bumper and tighten.
2. Mount bumper to frame of truck (do not tighten).
3. Adjust bumper to fit truck and tighten bolts.
4. DO NOT USE IMPACT WRENCH TO TIGHTEN BOLTS ON FACE OF BUMPER.